

X30 Pro

Cordless Vacuum Cleaner

Next Generation Smart Clean flagship





OLED smart color screen

Real time control of cleaning information



ZiWei Sterilization System

ZiWei Sterilization System

Healthier to sterilize through the whole machine



NEX-V all-powerful Brush

New structure fits for all kinds of floors or carpets



150W Suction Power ^[1]

Significantly increase EER



Vacuuming, mopping and sterilizing

Cleaning while staying away from threats

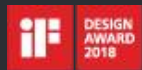


70 Minutes' Long Running-time ^[2]

Charging one time enough for cleaning 450M²

Entirely new generation X Interpret the Future of Clean Technology

Awarded the German red dot, iF and many other global design awards from ROIDMI team [3] . colors matching of black and silver OLED Smart colorful screen. X series of entirely new cleaning black technology.



red dot design award
winner 2018



GOOD DESIGN
AWARD 2018



Contemporary Good Design
GOLD WINNER 2018



TAI-HU AWARD

Color: Space gray



Smart Color Screen Make cleaning more brilliant

New smart OLED colorful screen

Real-time display of dynamic information such as suction, electricity and Calorie consumption, while cleaning , visible cleaning status.



* Screen of X30 Pro is OLED colorful screen
Screen of X30 is LED Digital screen

Humanized interactive design

ROIDMI insists on humanized design, always trying hard to promote 1% of the users' experience by a thousand lines of code efforts. Make 100% sure to ensure the user's convenience, Visible 3 kinds of cleaning mode operation phases real-time machine status guidance, calorie consumption, charging status and so on.



Standard



High



MAX



Error



Leave out HEPA



Clogging



ROIDMI's best flagship

Engine-X 2.0
Stronger suction
power

X30 Pro **150W** ^[1]

X20 138W

Engine-X 2.0
Higher vacuum

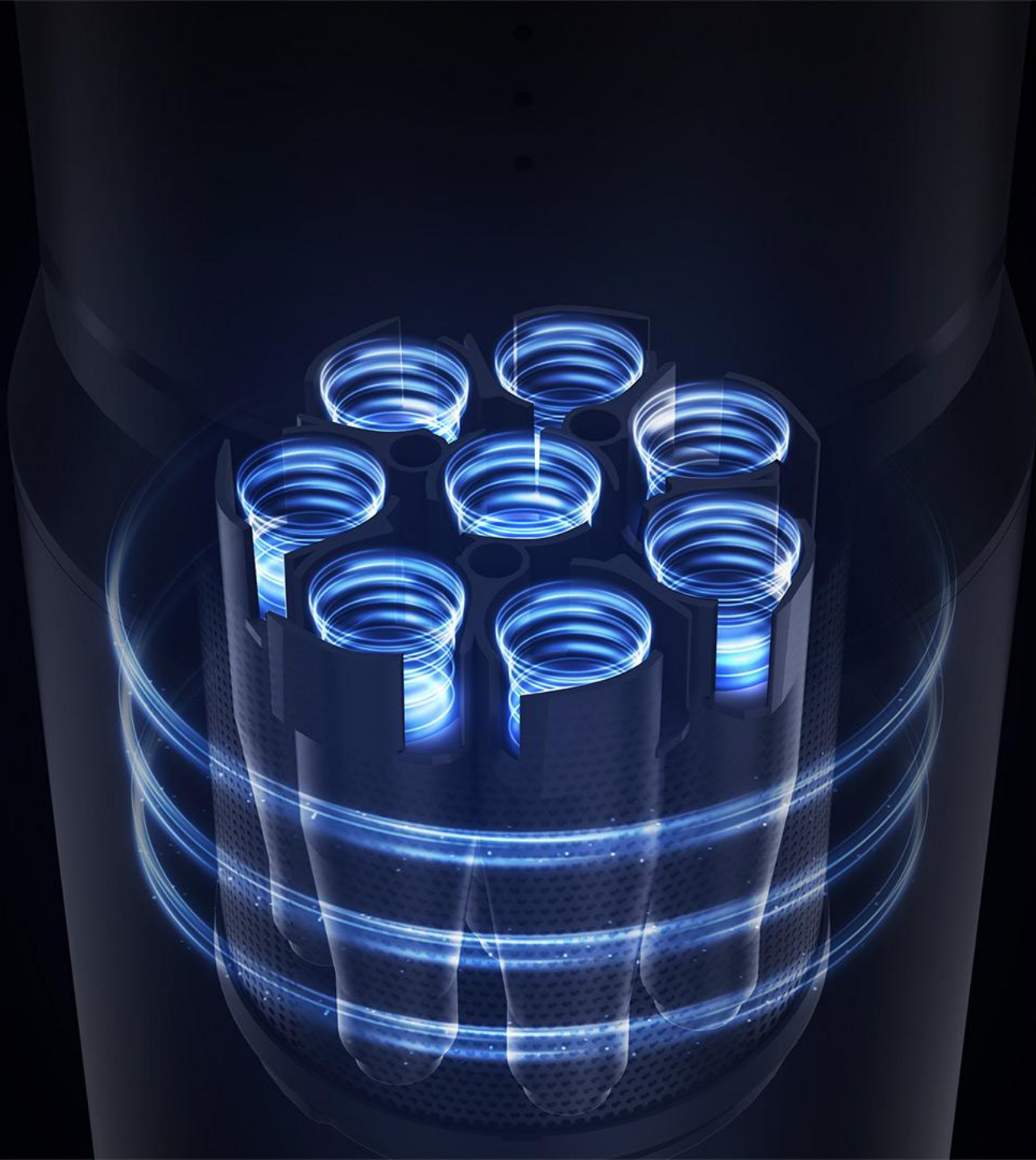
X30 Pro **26500Pa** ^[4]

X20 25000Pa

BMS-X 2.0
Longer life

X30 Pro **70 mins cleaning up 450 m²** ^[2]

X20 65 mins cleaning up 380 m²



Air-X 2.0 Air dust separation

High-end 8 cone Separation Cyclones

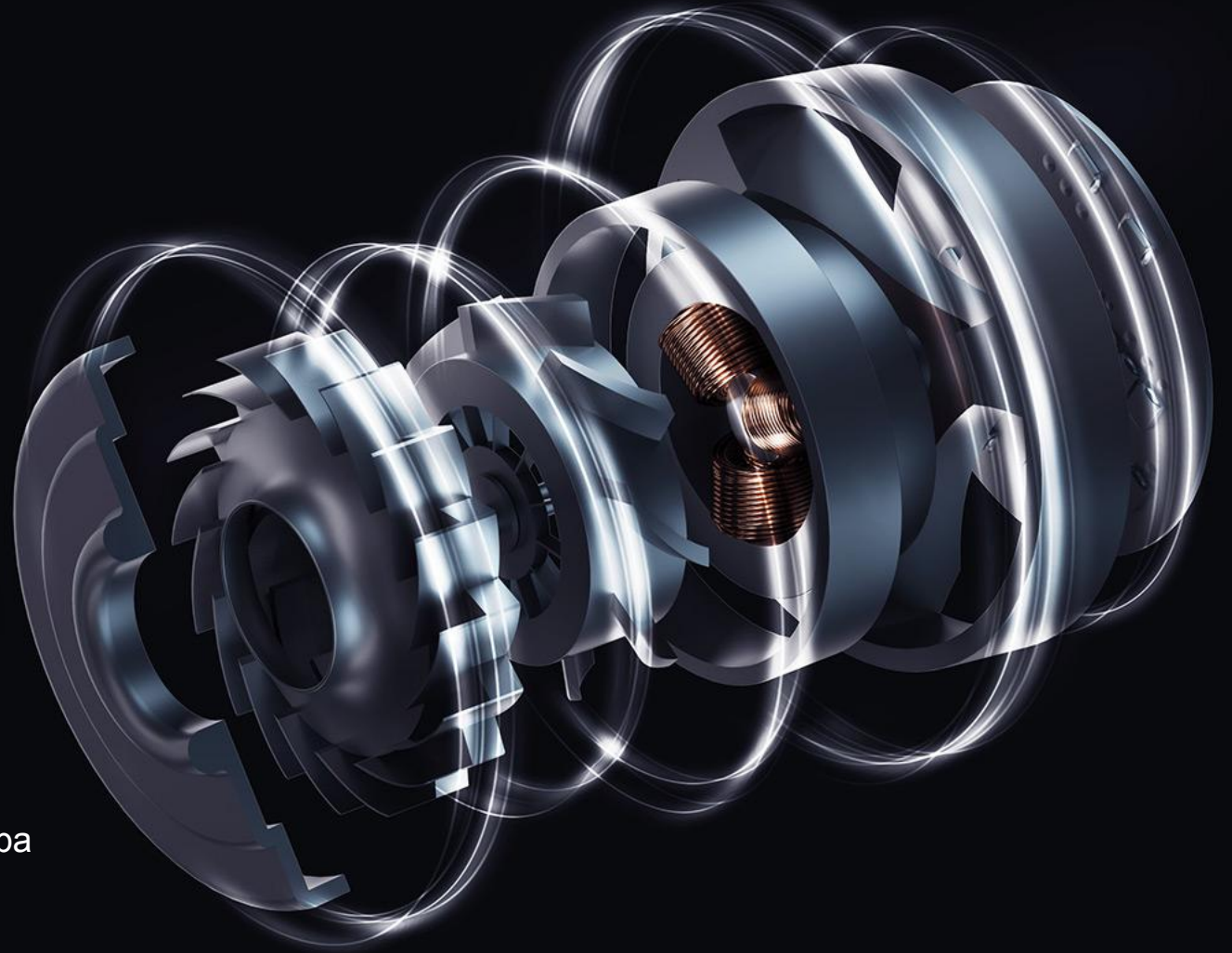
Maintain constant suction

Air-X 2.0, 8 cone air dust separation, 8 parallel tornadoes are used to separate dust into the dust collection cup, to reduce suction loss, and avoid frequent filter cleaning.

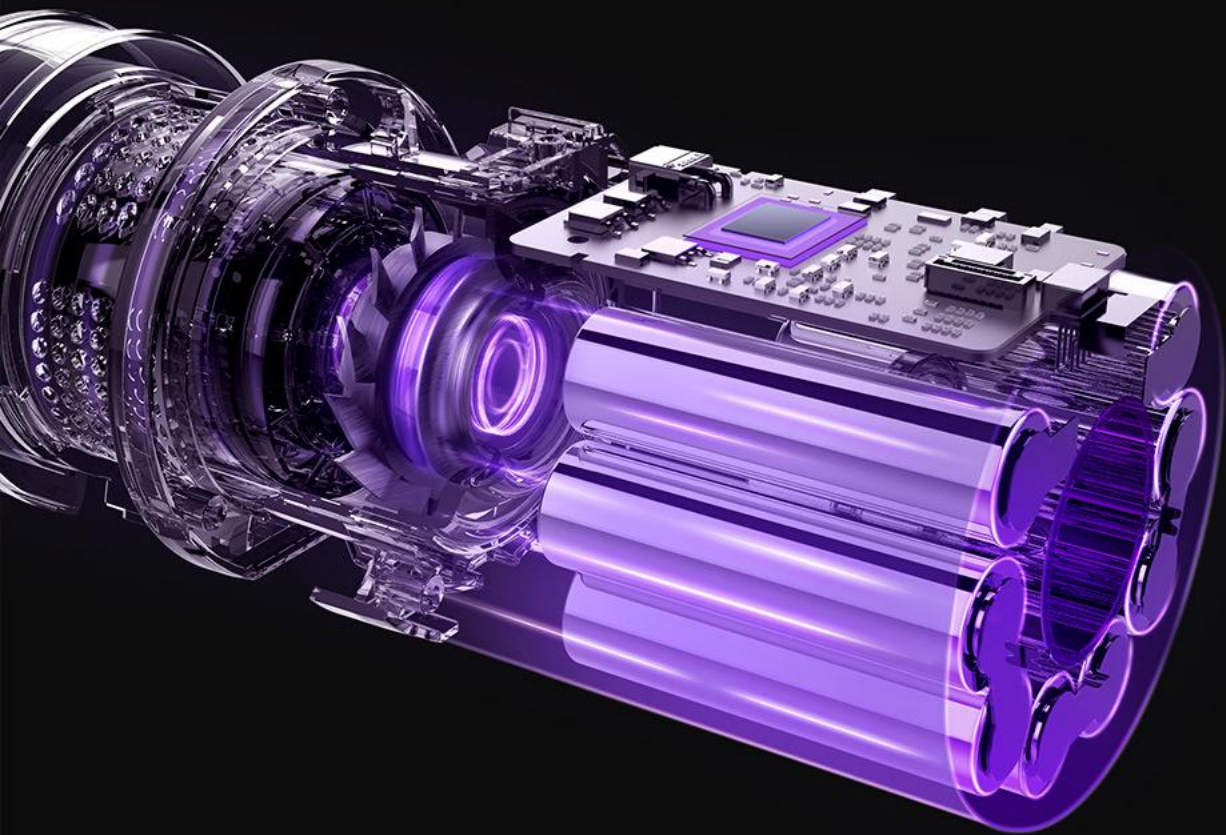
Engine-X 2.0

120000 digital brushless motor ^[5]

In ROIDMI's new cleaning lab, energy efficiency has been improved significantly comparing to the previous generation, resulting in stronger performance, longer life and less noise.



120000_{rpm} **150**_w **26500**_{pa}
Brushless dc motor Suction power Vacuum



BMS-X 2.0 battery system

8 power lithium battery

By optimizing the 8 power lithium batteries through the new BMS-X 2.0 system, battery life is improved to up to 70 mins which is able to clean 450M², only charge once.

ZWSS

ZiWei Sterilization System

ZiWei Sterilization System, a joint project from ROIDMI Cleaning R&D Lab, toagosei co ltd.(Japan) and Toray Industries, Inc., provides a better cleaning experience with quadruple sterilizing technology after 3 years' R&D.



Novaron machine antibacterial



Ion antibacterial rear filter



Ion antibacterial NEX-V roller brush disinfection

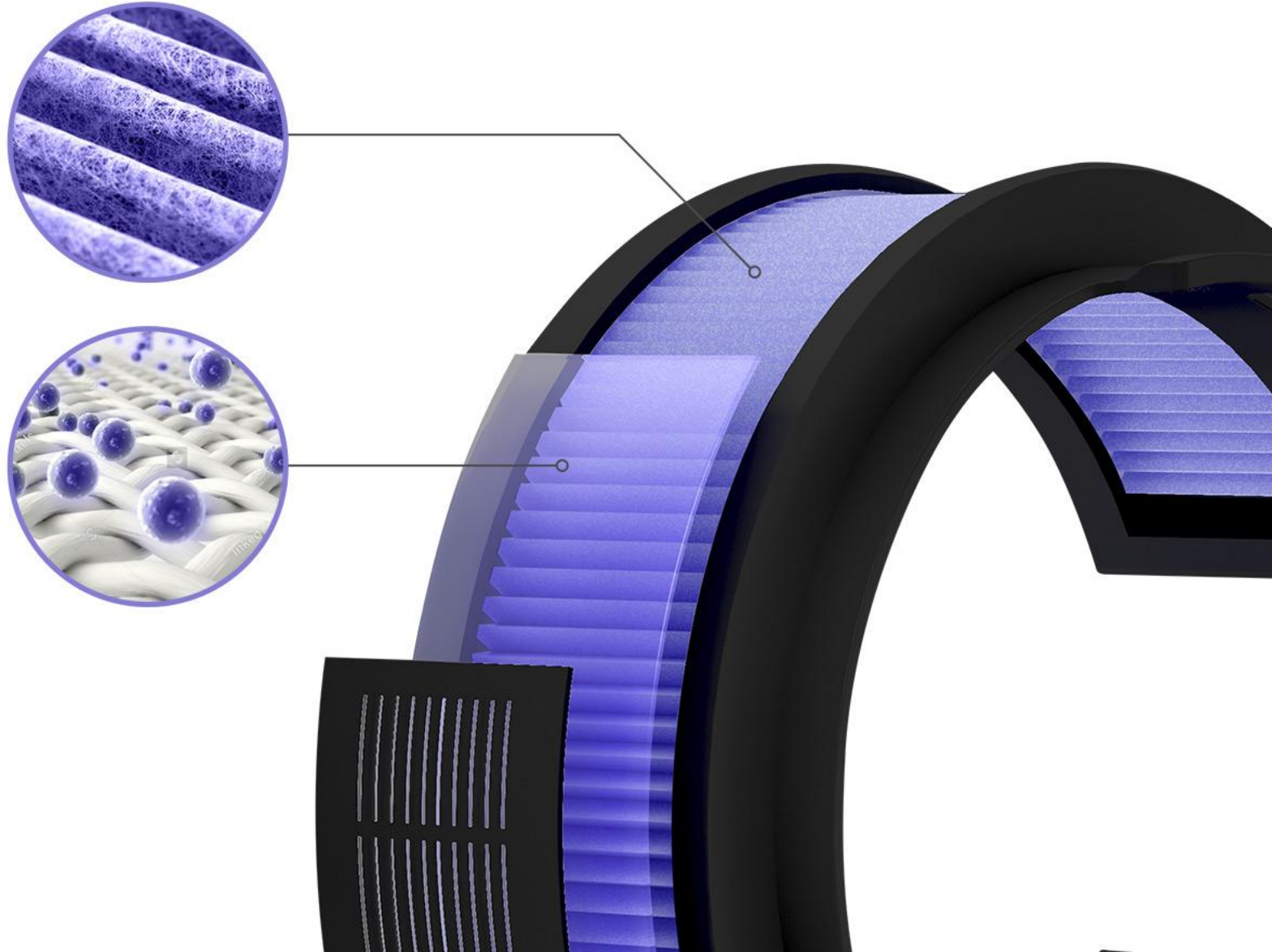


Suction component



Ion antibacterial rear filter

ROIDMI X30 Pro is additionally equipped with Japan Toray rear filter on the basis of the filter, and added an ion antibacterial coating to prevent the safety hazards caused by escape of bacteria in the exhaust gas.



NEX-V Versatile Roller Brush

Suitable for all terrain and all scenes clean black technology



V-shaped anti-hair entanglement structure

30% higher than NEX anti-wrap effect



Nanoscale hydrophobic fiber

Water and stain resistant



Ionic antibacterial coating

Inhibit bacterial growth



Ionic antibacterial coating

No need to replace the cleaning brush



V-shaped brush



NEX-V Versatile Roller Brush

Ordinary floor brush
weak cleaning power in deep gaps

V-shaped high and low hair design
Powerful removal of dust



Second-generation antibacterial see-through magnetic water tank

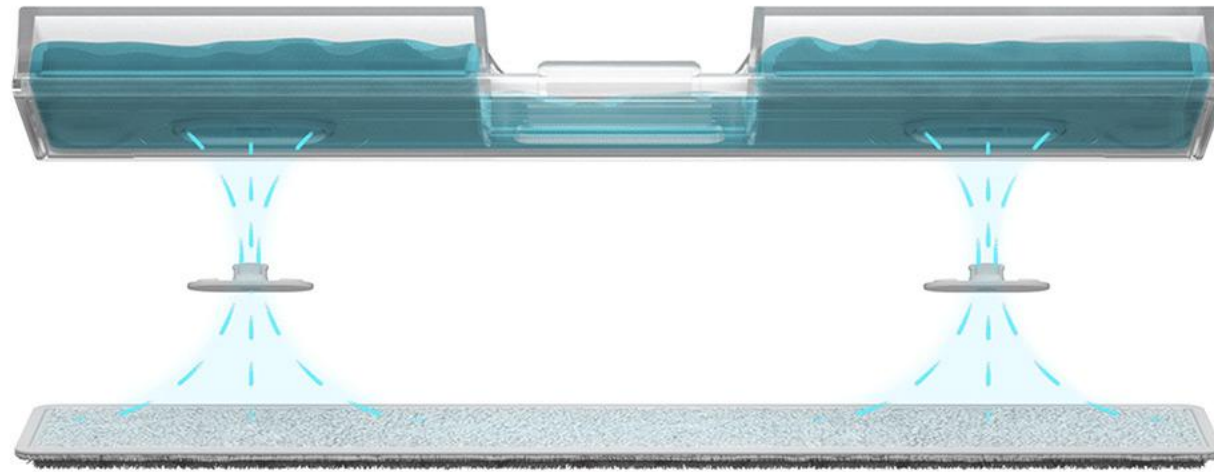
Using Novaron ion antibacterial materials, vacuuming and mopping at the same time, floor disinfection and epidemic prevention, to protect the health of the family.

Magnetic suction design, connected as one by magnetic if needed, separate once pulled.



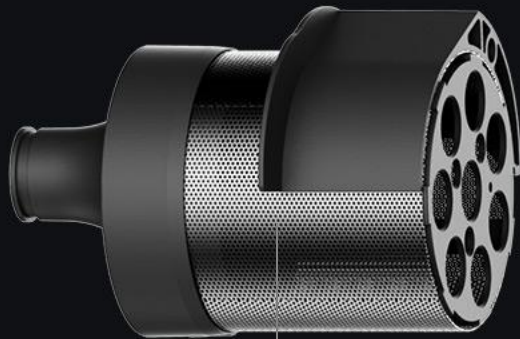
Plant bionic drip technology for water tank

According to the principle of plant capillaries, mops will automatically absorb water to get wet.



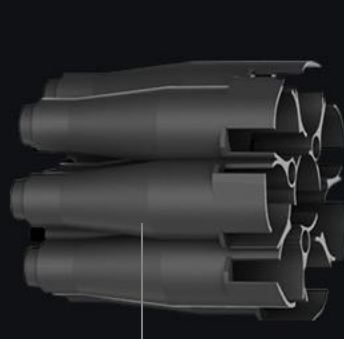
Six-level filtration + Double antibacterial Antibacterial air purifier on vacuum cleaner

Six-level filtration from ROIDMI Air Purifier, Metal mesh filter for large particles, double purification of front and back double filter.



No.1 filtration
No.1 antibacterial

Novaron ion antibacterial duct
Metal filter net



No.2 filtration
No.1 antibacterial

Novaron ion
antibacterial duct
8 cone cyclone



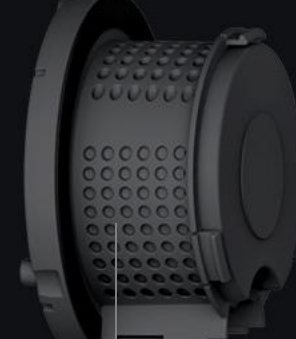
No.3 filtration

Filters micron
dust



No.4 filtration

Large flux metal net



No.5 filtration

Dust-proof net



No.6 filtration
No.2

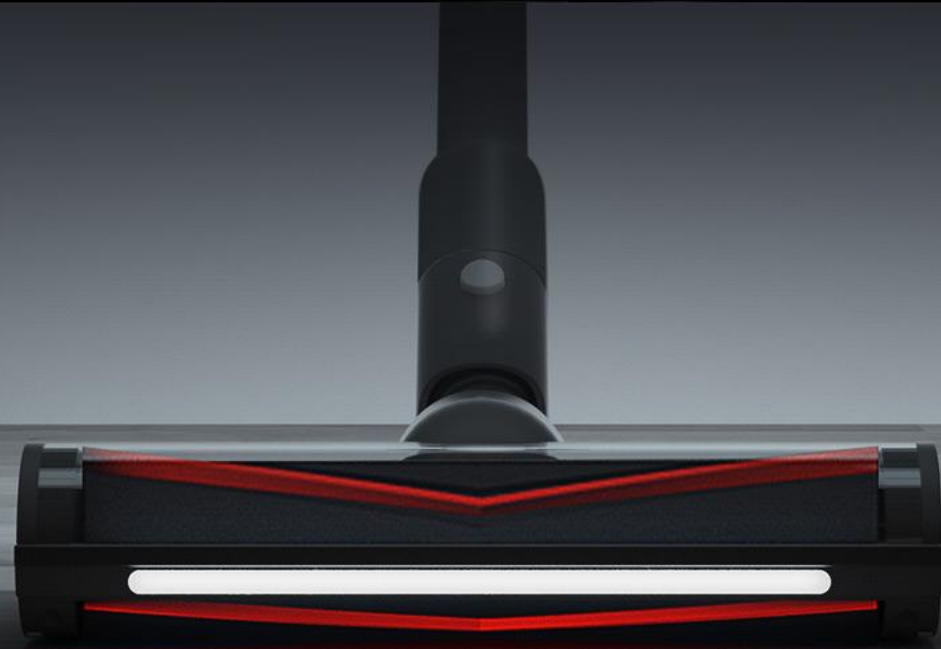
antibacterial
ion antibacterial post
filter
Eliminate Security risks
by germ escape in
exhaust



0.55L Big volume dust cup

No-touch dirt emptying

No need to touch the dirt, just 1 button-press to release all the dirt. 1 time dirt emptying for 450m² clean area with optimized 0.55L dust cup design.



LED light lighting no dead corners when cleaning

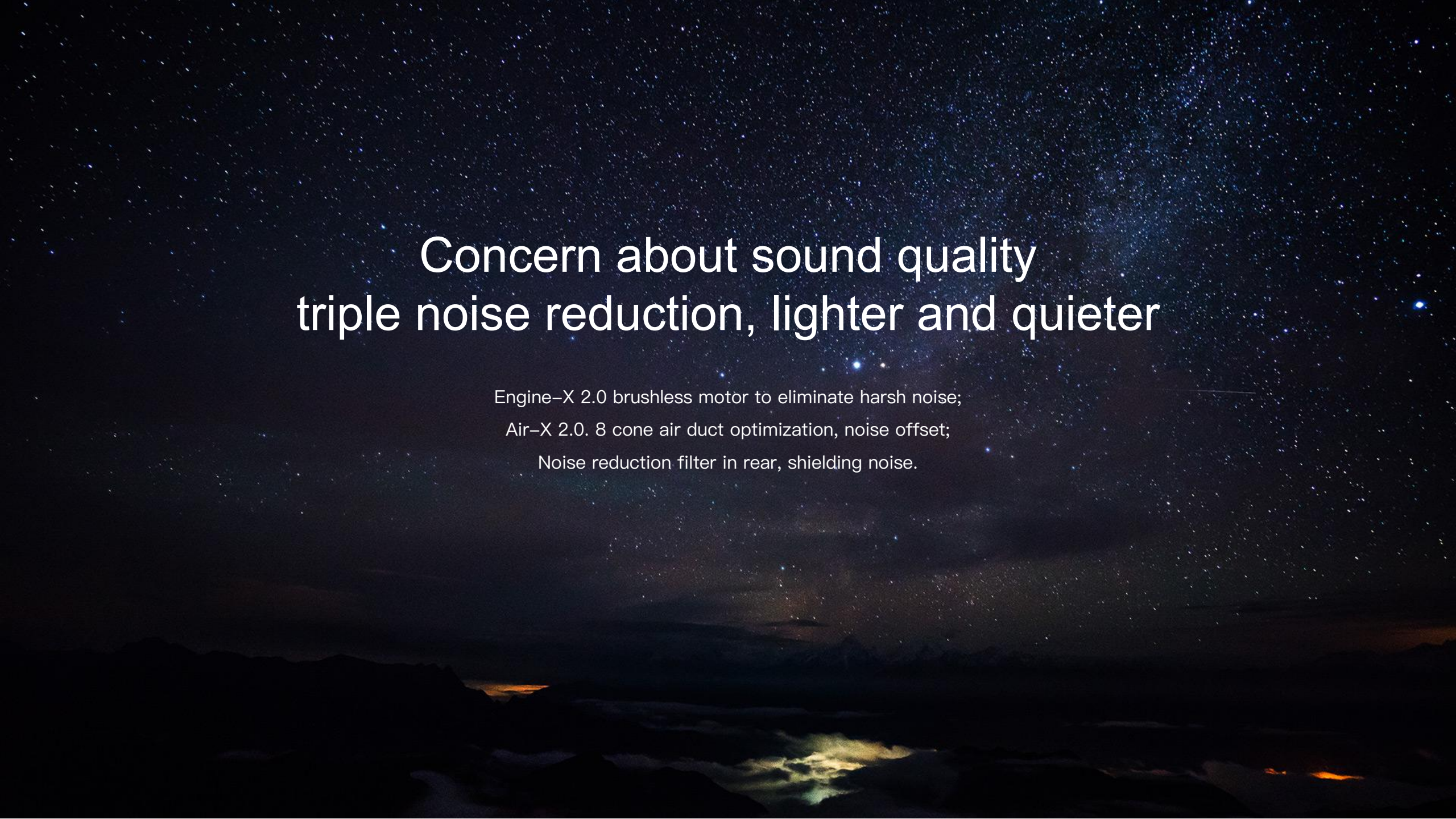
The creative light-brushing.LED light-sensitive lamp makes it possible to be lit immediately when entering dark corners such as the bed and sofa bottom, so that there is nowhere to hide the dust in the dark, and no dead corners when cleaning .



Magnetic absorption wireless charging

Wireless is simple and unlimited

Lean on it slightly to recharge, easy to use.



Concern about sound quality triple noise reduction, lighter and quieter

Engine-X 2.0 brushless motor to eliminate harsh noise;

Air-X 2.0. 8 cone air duct optimization, noise offset;

Noise reduction filter in rear, shielding noise.



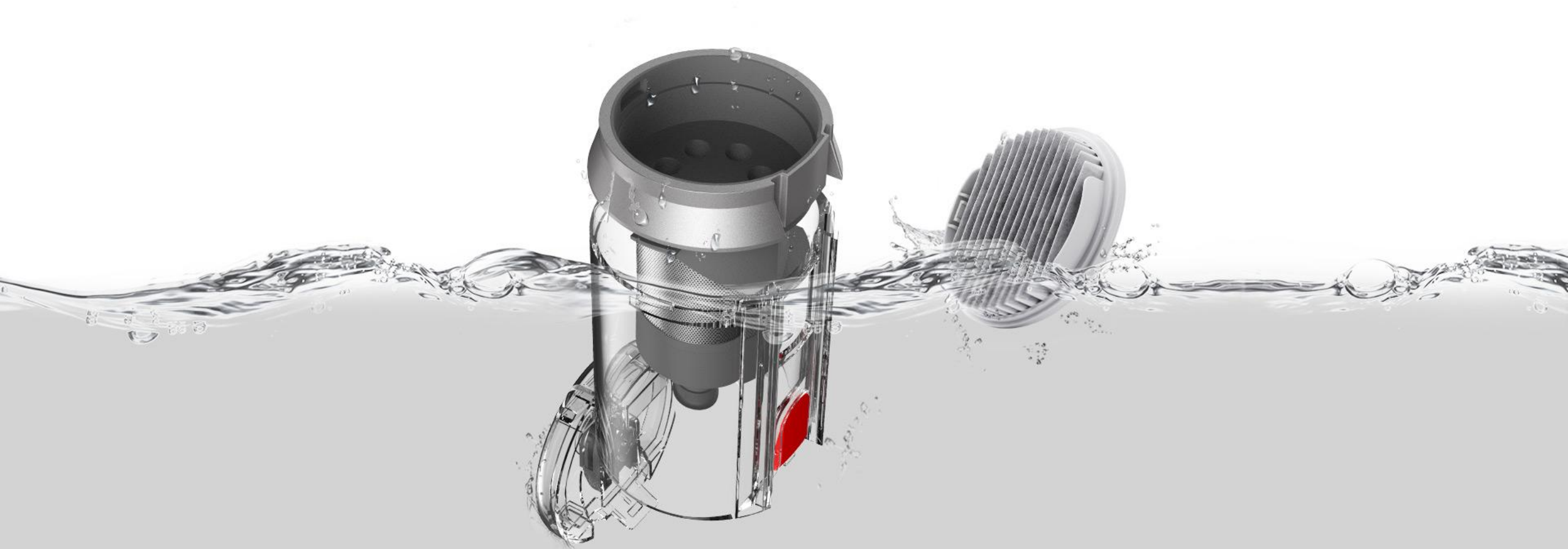
Smart APP control

Smart housekeeper

ROIDMI X30 Pro connected to the mobile phone through Bluetooth, you can check the host power, cleaning time, dust full and filter replacement reminder through APP, helping you to achieve the best cleaning experience.

Filter components can be washed

The dust cup, filter element and metal mesh multi-cone component can be disassembled and washed, and the entire component is not easy to accumulate dirt and produce odor.



Electric mattress brush

Remove mites effectively

Large suction, invisible mites
can also be efficiently removed.





New pet brush tip Designed to clean pet hair

The hair that the pets at home regularly drop has brought endless trouble to the owner. In particular, cats licking hair into the body can cause health problems. Remi's new pet brush suction head can be directly removed from pet hair before they fall, and it is sucked into the vacuum cleaner together with allergens such as dander.



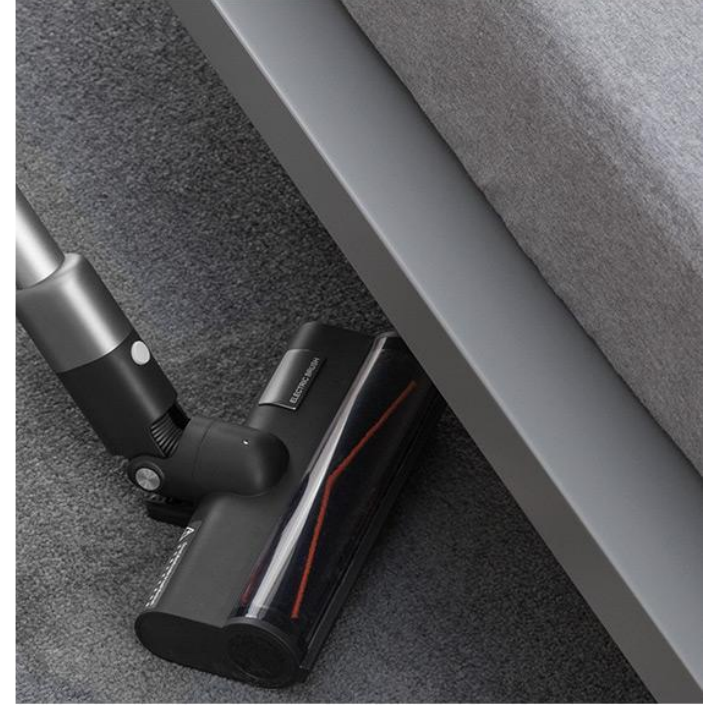
Crevice Tool

Deep cleaning of the inner and outer edges at home, car seats and other narrow gaps



Brush Head

Effectively remove dust from furnitures, lamps and other positions, with super long flat suction head.



Electric brush

Multi-angle flexible rotated, deep cleaning furniture, leaving no sanitary corner

X30 Pro
space
gray



X30 Pro
Taiji color



X30
Taiji color





X30 Pro configuration

Brush head usage guide






NEX-V all-round brush
Applicable to all terrain and all scenes (clean the floor mat and remove the water tank)

Floor Floor Tile Floor Mat Carpet



Electric mite removal brush
Suitable for removing mites from mattresses, sofas and home textiles

Bed Pillow Sofa



Pet brush + hose
Suitable for homes with pets

Cat Dog



Crevice Tool
Applicable to gaps, deep furniture and other environments

Sofa Windows Car Corner



Brush * Use with crevice Tool
Suitable for uneven surfaces and deep places

Curtain keyboard Car Light

* The hose can also be used alone

Cordless Vacuum Cleaner **X30 Pro**

Accessories with a "*" number need to be purchased separately.

- Space Gray
- Taiji Color



OLED screen



NEX-V brush
Light-sensitive LED



● Space Gray



Crevice tool assembly



Power adapter



Filter + rear filter



Cleaning brush



Wall-mount charging dock



Packing box



Extension hose +
pet brush



Mattress brush



Water Tank Module

Total Rated
Power
435W

Suction Power
150W

Brushless DC
motor
120,000Rpm

Vacuum
26,500Pa

Product Size
1191×259×164mm

Dust Cup
Capacity
0.55L

Charging Time
2.5 hours

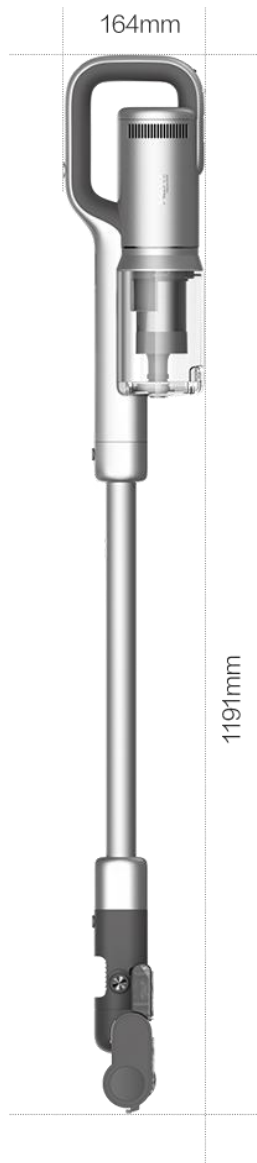
Product Weight
2.7 kg

Lithium Battery
Capacity
2500mAh/72Wh

Endurance(Standard 2
MAX)
70min /35min /10min

Noise(Low gear)
83dB(A)

Bluetooth
●



Model	X30 Pro	X30
Colour	Space gray/Taiji color	Taiji color
Display	OLED Color screen	LED screen
Total Rated Power	435 W ^[7]	435 W ^[7]
Brushless DC motor	120000Rpm ^[5]	120000Rpm ^[5]
Vacuum	26500pa ^[4]	26500pa ^[4]
Noise	83dB(A) ^[6]	83dB(A) ^[6]
Suction Power	150W ^[1]	150W ^[1]
Endurance	70 min ^[2]	70 min ^[2]
Lithium Battery Capacity	2500mAH/72Wh	2500mAH/72Wh
Charging Time	2.5h	2.5h
Charging method	Magnetic absorption wireless charging	Magnetic absorption wireless charging
Filtering system	Filter +Rear filter	Filter +Rear filter
ZiWei Sterilization System	Support	Support
Dust cup capacity	0.55L	0.55L
Size	1191*259*164mm	1191*259*164mm
Total Weight	2.7Kg	2.7Kg
Accessories	Water Tank Module Crevice tool assembly Mattress brush Extension hose pet brush	Water Tank Module Crevice tool Mattress brush Extension hose

[1] Maximum Suction power refers to the one that is achieved by testing single hole (10mm) or a full set of test holes on the standard test bench in BOOST mode (the highest mode) at full power and with a full battery, as tested in the ROIDMI Cleaning Power Laboratory or by third-party testing agency TÜV. Suction power may vary depending on the test environment (including test method, ambient temperature and humidity, test equipment, etc.).
Report No.: 60386467 001

[2] According to the test data from the ROIDMI Cleaning Power Laboratory or third-party testing agencies TÜV, the operating time in STANDARD mode is 70 minutes, and the operating time in BOOST mode is 10 minutes. While testing, the angle between the product body and ground is $60^{\circ} \pm 5^{\circ}$. The surface of the floor brush touches the surface of the smooth floor tile and the machine keeps working battery runs out. Operating may vary according to mode, floor type, battery status, etc.
Report No.: 60386467 001

[3] The six international design awards refer to awards for vacuum cleaner products designed by the ROIDMI design team. This product is designed in the style of our award-winning products.

[4] Vacuum power refers to the maximum amount of vacuum measured during an eight-second monitoring period when the motor is fully plugged and running at full power. There will be 8% deviation of vacuum power depending on the test environment (including test method, ambient temperature and humidity, test equipment, etc.).
Motor specifications: C55-LS3415045T-99

[5] The 120K RPM motor refers to the highest rotation speed measured during an eight-second monitoring period when the motor is fully plugged and running at full power. There will be 8% deviation of vacuum power depending on the test environment (including test method, ambient temperature and humidity, test equipment, etc.).
Motor specifications: C55-LS3415045T-99

[6] As tested in the standard noise testing laboratory by the ROIDMI Cleaning Power Laboratory or third-party testing agencies TÜV, the actual noise value will be $\pm 3\%$ error due to the consistency deviation of each product in parts and manufacturing process under the standard mode.
Report No. 60386467 001

[7] The total power rating of 435W refers to the sum of the main motor's rated power (400W) and the brush motor's rated power (35W).



